

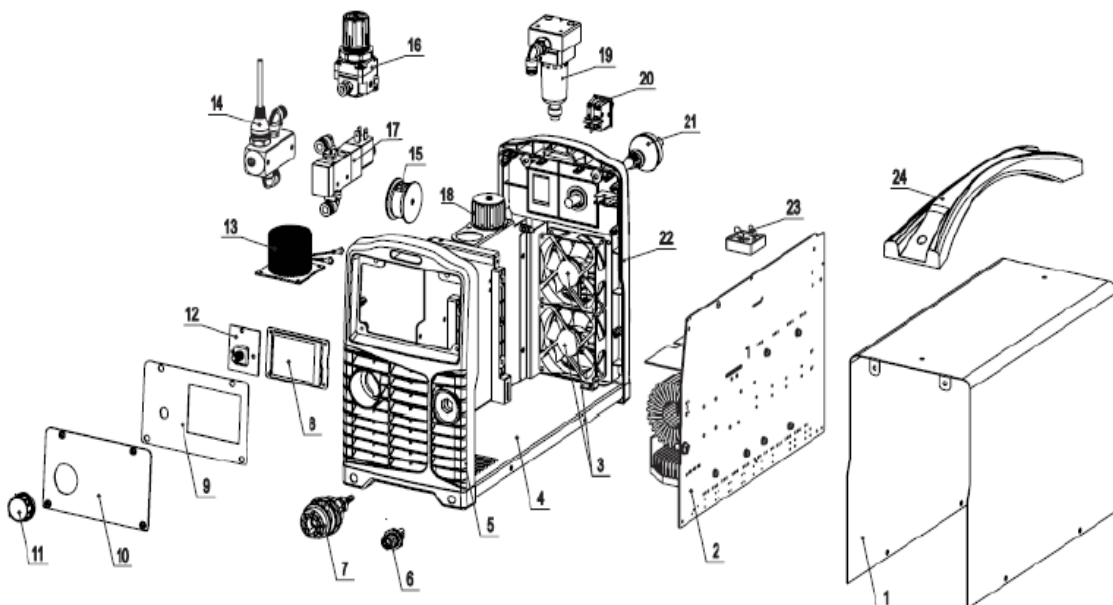
## ESAB HANDY PLASMA 45i



**Manual de Piezas**

CODIGOS VALIDOS EN PERÚ

<b>HANDYPLASMA 45i</b>				
FIGURA	ITEM	DESCRIPCION	NUMERO PARTE	CODIGO
1	1	PANELCOVER	559337090	CONSULTAR
1	2	ESAB TARJETA HP 45 (HSP337088)	HSP337088	618439
1	3	ESAB FAN HP45 (HCP337059)	HCP337059	619158
1	4	BASEPANEL	559337060	CONSULTAR
1	5	FRONTPANEL	559337061	CONSULTAR
1	6	SOCKET	559337062	CONSULTAR
1	7	ESAB ADAPTADOR HP45 (HCP337063)	HCP337063	619157
1	8	ESAB LCD HP (HCP337064)	HCP337064	617654
1	9	CONTROLPANEL	559337091	CONSULTAR
1	10	SHIELDC/PANEL	559337066	CONSULTAR
1	11	PERILLA DE ENCODER	559337067	CONSULTAR
1	12	ESAB PCB ENCONDER HP45 (HCP337068)	HCP337068	619160
1	13	ESAB INDUCTOR HP (HCP337069)	HCP337069	617653
1	14	ESAB SENSOR PRESION HP (HCP337070)	HCP337070	617656
1	15	ESAB INDUCTOR TIERRA HP (HCP337071)	HCP337071	617652
1	16	ESAB REGULADOR HP45 (HCP337072)	HCP337072	619161
1	17	ESAB SOLENOIDE HP45 (HCP337073)	HCP337073	619162
1	18	ESAB INDUCTOR EMI HP (HCP337074)	HCP337074	617651
1	19	ESAB FILTRO DE AIRE HP (HCP337075)	HCP337075	617650
1	20	SWITCH ON /OFF	559337076	CONSULTAR
1	21	CABLE DE ENTRADA	559337035	CONSULTAR
1	22	REARPANEL	559337078	CONSULTAR
1	23	ESAB RECTIFICADOR PRIM. HP (HCP337079)	HCP337079	617655
1	24	HANDLE	559337080	CONSULTAR



# ESAB PLASMA TORCH 60A HP45



ESAB PLASMA TORCH 60A HP				
FIGURA	ITEM	DESCRIPCION	NUMERO PARTE	CODIGO
2	ANTORCHA	ESAB PLASMA TORCH 60A HP (0559337000)	559337000	618585
2	1	ESAB ADAPTA TORCH HP45 (HCP337056)	HCP337056	619156
2	2	CABEZA DE ANTORCHA(HCP337053)	HCP337053	CONSULTAR
2	3	ESAB GATILLO TORCH HP45 (HCP337052)	HCP337052	619159
2	4	ESAB TORCH HEAD HP45 (HCP337053)	HCP337053	619163
2	5	ESAB PLASMA O RING(ESAB337006)	ESAB337006	616218
2	6	ESAB ELECTRODE HP45 (ESAB337003)	ESAB337003	618670
2	7	ESAB PLASMA GAS DIFFUSER(ESAB337007)	ESAB337007	616219
2	8	ESAB PLASMA CUTTING TIP 45A (ESAB337002)	ESAB337002	618671
2	9	ESAB PLASMA SHIELD CUP(ESAB337005)	ESAB337005	616217
2	10	ESAB PLASMA STANDOFF GUIDE(ESAB337004)	ESAB337004	616216

